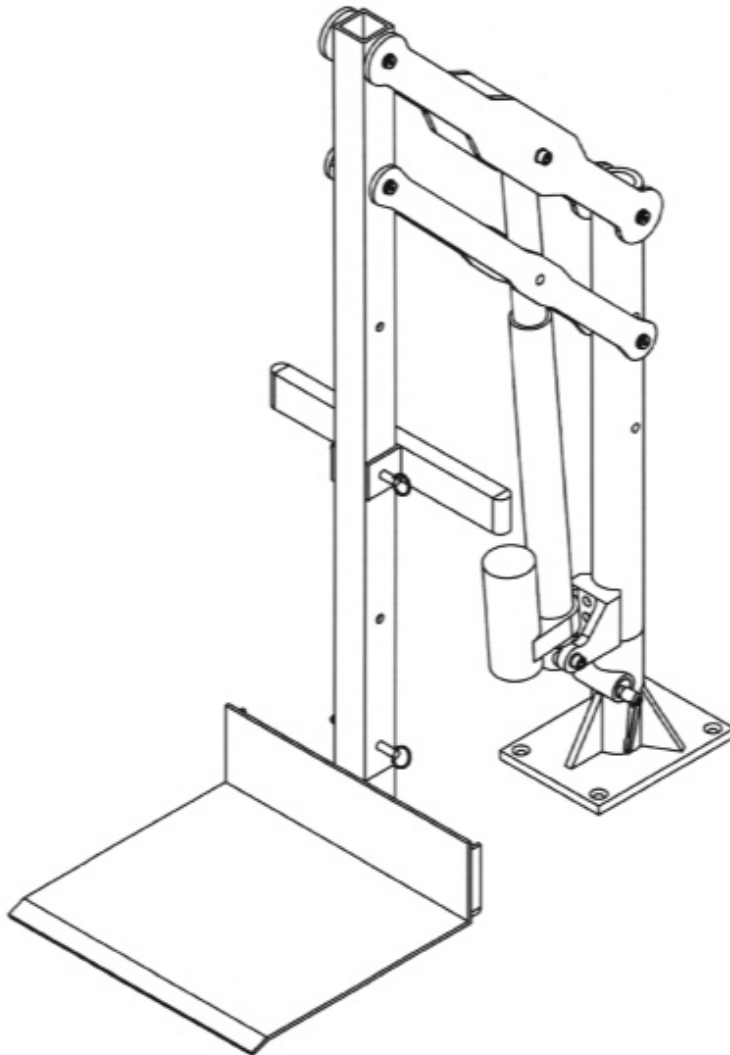


Owners Manual & Safety Instructions

ATLAS

LIFT

MODEL# KA-121



It is critical FOR trouble-free use of this Atlas Lift, that it BE installed correctly and properly maintained. It is important to read this entire manual prior to beginning assembly or operation, and follow all instructions and warnings contained in this manual. Any failure to properly install and maintain this lift, or any failure to heed any of the warnings in this manual, could cause serious injury or death to the operators and bystanders.

ATLAS LIFT INC.

2551-B Stanwell Dr. Concord, CA 94520 | www.atlasliftinc.com | P: 855.777.8907 or 925.476.1033

TABLE OF CONTENTS:

Safety Information	Page 3
Battery Connection	Page 4
Base Plate	Page 3
Assembly Instructions	Page 5
Wireless Hand Control Operation	Page 5
Rotation Hand Brake	Page 5
Lifting Procedure	Page 6
Care and Maintenance	Page 7
Troubleshooting	Page 7
Warranty	Page 8

IMPORTANT SAFETY INSTRUCTIONS



Study, understand, and follow all instructions before operating the lift. Make sure all individuals using the lift have read the instructions and have been made aware of all safety precautions.

- DO NOT EXCEED 440 LB (200 KG) WEIGHT CAPACITY
- Use only on hard, level surfaces.
- Before moving, lower the load to the lowest possible point.
- Do not lift people.
- Do not leave suspended load unattended.
- Do not lift load over people. Keep clear from underneath suspended load or while lifting or lowering.
- Never operate the lift when vehicle is in motion.
- Do not allow load to swing violently while moving.
- No alterations shall be made to this product.
- Inspect before every use and never operate if parts are loose or damaged.
- Keep bystanders, children, and visitors away while operating. Distractions can cause you to lose control.
- Stay alert. Watch what you are doing, and use common sense when operating. Do not use while tired or under the influence of drugs, alcohol, or medication. A moment of inattention while operating may result in serious personal injury.
- Use of unauthorized parts or failure to follow maintenance instructions may create a risk of injury and will void any applicable warranty.
- Maintain labels and nameplates on the product. These carry important information. If unreadable or missing, contact us for a replacement.
- The warnings, precautions, and instructions discussed in this manual cannot cover all possible conditions and situations that may occur. The operator must understand that common sense and caution are factors, which cannot be built into this product, but must be supplied by the operator.



SAVE THESE INSTRUCTIONS AND REFER TO THEM PRIOR TO EACH USE

Battery Connection



TO PREVENT SERIOUS INJURY FROM EXPLOSION DUE TO SPARKING AT THE BATTERY CONNECTION: DISCONNECT THE BATTERY CABLES BEFORE MAKING OTHER WIRING CONNECTIONS.



TO PREVENT SERIOUS INJURY FROM LEAKING BATTERY ACID: DO NOT USE DIRTY, CORRODED OR LEAKING BATTERY. ONLY USE A 12 V AUTOMOTIVE (OR EQUIVALENT) BATTERY, IN GOOD CONDITION.

1. If you are connecting to existing vehicle wiring, follow all precautions discussed by vehicle manufacturer.
2. Plan a route for the wiring from the point of the vehicle where the lift will be mounted, or used, to the battery. This route must be secure, out of the way of moving parts, road debris, or any possibility of being damaged by operation or maintenance of the vehicle. For example, you may wish to route the wires under the vehicle, attaching it to the frame using suitable fasteners. Do not attach the wires to the exhaust system, drive shaft, emergency brake cable, fuel line, or any other components which may damage the wiring through heat or motion, or create a fire hazard.
3. If you drill through the bumper or any part of the body to route the wires, be sure to install a rubber grommet in the hole to prevent fraying of the wires at that point.
4. After assembly attach the battery connector from the control box to the wall mounted connection to test.

Base Plate

Base Plate is recommended to be professionally installed. Atlas Lift Inc. is not liable for installation, or the structural integrity of where it is mounted.

- ⚠ Incorrect location may prevent lift from functioning properly.
- ⚠ Verify installation location does not have hidden components or brake lines before drilling.
- ⚠ The base must be securely bolted to the frame of the truck bed.
- ⚠ Base must be attached directly to the floor. Remove all floor coverings or lift will flex or become loose.

Assembly Instructions

1. Stand the mast sub assembly into the base plate and attach the actuator to the bracket.
2. Attach the stabilizer arm with actuator access opening closest to the mast. Stabilizer bar should be located closest to mast actuator bracket so the actuator can be fed through.
3. Attach the boom to the mast.
4. Attach the actuator to the boom.
5. Attach the stabilizer bar and boom to down tube with clinch pin.
6. Attach the platform to the down tube with clinch pin.
7. Attach strap bar as needed.
8. Attach control box to mounting plate and make all electrical connections.
9. Inspect the lift after completing assembly.
10. Test the lift following the operation instructions provided in this owner's manual.

⚠ ANY LOOSE CONNECTION WILL RENDER THE LIFT NON-OPERATIONAL

Wireless Hand Control Operation

Lifting:

Pressing the #1 button causes the platform to rise. The platform will continue to rise as long as the button is pressed, or until the lift reaches its highest extent. Releasing the button at any time during the travel will also cause the lift to stop.

Lowering:

Pressing the #2 down button causes the platform to lower. The platform will continue to lower as long as the button is pressed, or until it reaches the ground. Releasing the button at any time during travel will also cause the lift to stop.

Programing Hand Control to Control Box

Hold down both buttons. The control box responds with two flash's when mating is complete.

Rotation Brake Operation:

- a) Tighten – Turn handle clockwise (CW).
- b) Loosen – Turn handle counterclockwise (CCW).

Lifting Procedure

- ⚠ Read all operating instructions before operating the lift. Make sure that all individuals using the lift have read the instructions and have been made aware of all safety precautions.**
- ⚠ Operate the lift exactly as described in the instructions above. Failure to do so may result in damage to the lift or personal injury.**
- ⚠ Do not exceed the maximum lifting capacity of 440 lbs. (200 kg.) This may result in damage to the lift or personal injury.**

1. Attach platform if stored.
2. Turn on Control Box.
3. Use hand control to lift platform up off truck floor.
4. Release brake, rotate to loading position, lower and lock the brake by rotating lever clockwise (CW).
5. Transfer cargo onto the platform and secure with strap bar as necessary.
6. Use hand control to lift platform/cargo two inches (2") high above truck floor, for clearance, then release brake by rotating counterclockwise
7. Manually rotate the platform outside the truck and lock brake.
8. Use hand control to lower platform until it touches the ground so operator may safely transfer load off the platform.
9. Move cargo off platform.
10. Reverse procedure to lift cargo or store.
11. Turn off Control Box.

- ⚠ Do not allow load to swing violently when lifting or lowering.**
- ⚠ Always lock lift in place when not in use.**
- ⚠ Avoid continuous use to prevent overheating of actuator motor.**
- ⚠ Control Rotation to prevent lift from hitting truck wall which could result in damage to lift or cargo.**
- ⚠ Use extreme caution when transferring the load on or off the platform.**
- ⚠ Never operate the lift when locked in the store position**
- ⚠ Never engage the rotation lock while mast is rotating.**
- ⚠ Never attempt to remove or move load if platform is suspended in air.**
- ⚠ Always turn off control box after use to prevent inadvertent operation.**
- ⚠ Check all bolts to insure they are tight prior to use.**

(Continued On Next Page)

Lifting Procedure (Continued)

- ⚠ Engage parking brake before use. Do not move vehicle with load attached to hoist.
- ⚠ Weight capacity based on weight being balanced and centered on the platform.
- ⚠ Always be sure bulk loads are secure before lifting.
- ⚠ **STAY ALERT!** Watch what you are doing and use common sense when operating the hoist.

Care And Maintenance

The following should be performed periodically to ensure safe and dependable use.

1. Check all electrical connections – Check any external electrical cables for wear and/or breakage in the outer insulation.
2. Check all mechanical connections on all moving parts and make sure they are snug. Lube all pivot points with light oil.
3. If any warning or use labels are faded or become illegible, contact Atlas Lift and we will mail you replacements.
4. When cleaning the lift use non-abrasive soap and wipe dry with a non-abrasive cloth. Do not use any hard harsh chemicals or disinfectants.

Trouble Shooting

PROBLEM	POSSIBLE CAUSE	SOLUTION
1. Lift will not operate at all.	<ul style="list-style-type: none">- Control Box Off- Fuse Failure- Wiring Problem- Actuator/ Control Box or- Hand Control is Defective- Battery	<ul style="list-style-type: none">- Turn on Control Box- Replace Fuse- Identify and Repair- Test then replace as needed- Corroded Terminals or- Battery needs replacement
2. Control Box is unresponsive.	<ul style="list-style-type: none">- Loss of had Control Code- Defective Control Box	<ul style="list-style-type: none">- Reprogram per instructions- Replace Control Box
3. Hand Control Unresponsive	<ul style="list-style-type: none">- Needs to re-code	<ul style="list-style-type: none">- Recode the Hand Controller
4. Excessive Actuator noise or clicks or non-operational.	<ul style="list-style-type: none">- Overweight or- Load not centered	<ul style="list-style-type: none">- Reduce Weight- Center Load on Platform
5. Excessive wear to Actuator	<ul style="list-style-type: none">-	<ul style="list-style-type: none">- Replace Actuator
6. Excessive wear to Bearings	<ul style="list-style-type: none">-	<ul style="list-style-type: none">- Replace Base Bearings

WARRANTY

The manufacturer, warrants to the original retail purchaser its product, the AtlasLift for a period of twelve months (one year) from the date of delivery (the "Warranty Period"): if properly installed, setup and operated in strict compliance with the instruction set forth in the Atlas Lift Owner's Manual, the new Atlas Lift is free from defects in material and workmanship. If the delivery date cannot be established, then the date the product was sold by the Distributor will be used.

The manufacturer's obligations under this warranty, is expressly limited to the replacement or repair of parts, which prove to be defective in material or workmanship during the Warranty Period. To make a claim under this warranty, the product must be returned, freight prepaid to the manufacturer. The sole measure of damages shall be limited to the price of defective parts.

This warranty does not obligate the manufacturer to bear the cost of labor in the field or transportation charges in connection with replacement or repair of defective parts.

Factory authorized repair or replacement as provided under this warranty is the exclusive remedy to the consumer. The manufacturer shall not be liable for any incidental or consequential damages or for breach of any express or implied warranty on this product.

Any damage to the Atlas Lift, as a result of abuse, misuse, overloading, negligence, accidents, improper installation or any unauthorized alteration, repair or modifications made without written authorization by the manufacturer or any act that violates the instructions and warnings furnished by the manufacturer, will void the warranty.

NO representative of the manufacturer, including any Distributor, has the authority to amend or modify the warranty or to bind the manufacturer by any other warranty, guarantee or assumption of liability. There are no warranties, which extend beyond the above description and it is expressly understood and agreed that no warranty of merchantability or warranty of fitness for particular purpose, or other warranty express, implies or statutory is made.

FREIGHT CHARGES – This warranty does not cover freight charged incurred to return defective parts to the manufacturer's location or the shipment of replacement parts to the warranty holder.

The limitations expressed herein shall operate and apply to the greatest extent of applicable law. If any applicable law prohibits or modifies any limitation set forth in this warranty, the limitation shall be modified only as required under such law and such limitation as so modified, and all other limitations and provisions of this warranty, shall continue to apply.

ATLAS LIFT INC.

1-B Stanwell Dr. Concord, CA 94520 | www.atlaslift.com | P: 855.777.8907 or 925.476.1033