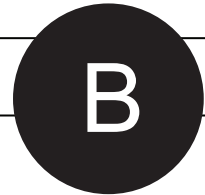


Warehouse Use Only

Part #	QUANTITY
D018	1
D112	1
G206	6
H33B	4
H31B	2
A500-45B	3
BG037	3
A02	2
A06	2
A69	2

Part #	H1348B
Weight	47.50
Plus/Minus	0.16
Ex Dimensions:	9 X 7.75 X 46
Box 1	CA
Box 2	BA





Van & Truck Cargo System

Vantech USA www.vantech.us

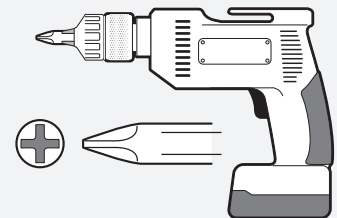


PRODUCT INFO

Part #: H1348B
System: H1 Series
Material: Steel
Fitment: Ram ProMaster City 2015-On
Color: Black

REQUIRED TOOLS

Power Tool With Phillips Head





1/2" Wrench

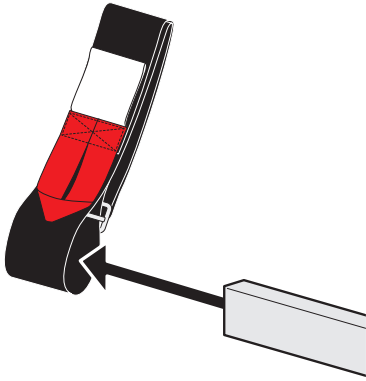


10mm Wrench

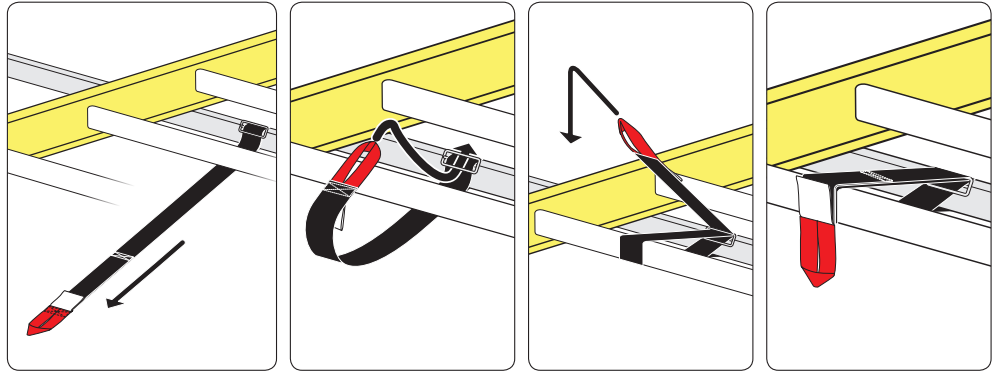


PART #	DESCRIPTION	QTY	ITEM ITEM NOT DRAWN TO SCALE
W003	1/4" X 3/4" WASHER	10	
W021	1/4" LOCK WASHER	10	
B018	1 3/4" X 5/16" CARRIAGE BOLT	4	
B201	TAP SCREW	12	
B224	M6-25 HEX BOLT	10	
N016	5/16" PLASTIC KNOB	4	
H33	H1 MOUNTING BASE (STANDARD)	4	
H31	H1 MOUNTING BASE (LOW)	2	
A500-45	2" X 1" X 45" CROSS BAR	3	
G206	RUBBER SEAT 2" X 6"	6	
A02	LADDER GUIDE	2	
A06	LADDER STOPPER	2	
A69	EZ-HOOK & LOOP STRAP	2	
BG037	PLASTIC BAR GUARD 37"	3	

Hook & Loop Strap



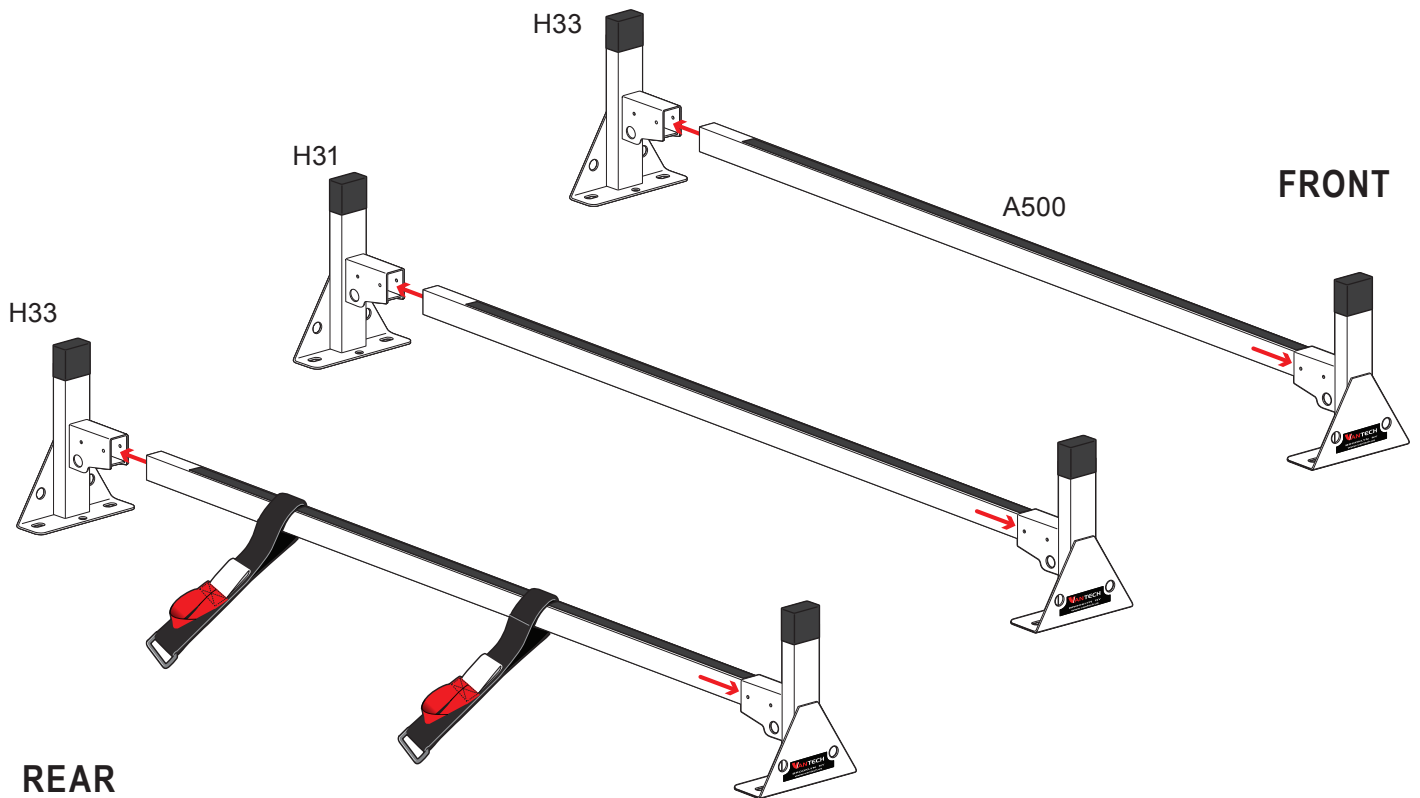
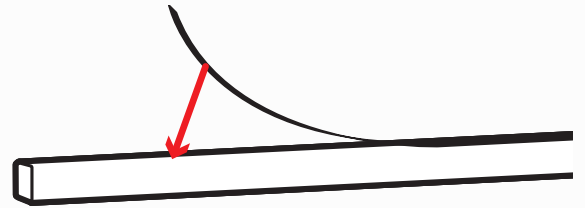
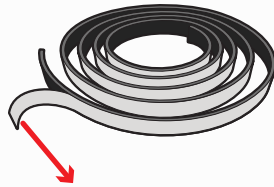
Directions



PLASTIC BAR GUARDS FOR STEEL CROSS BARS

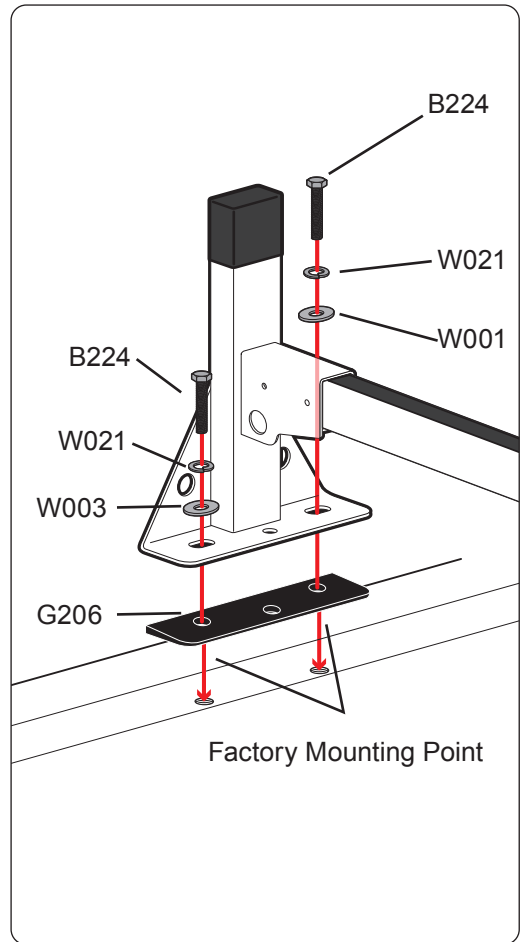
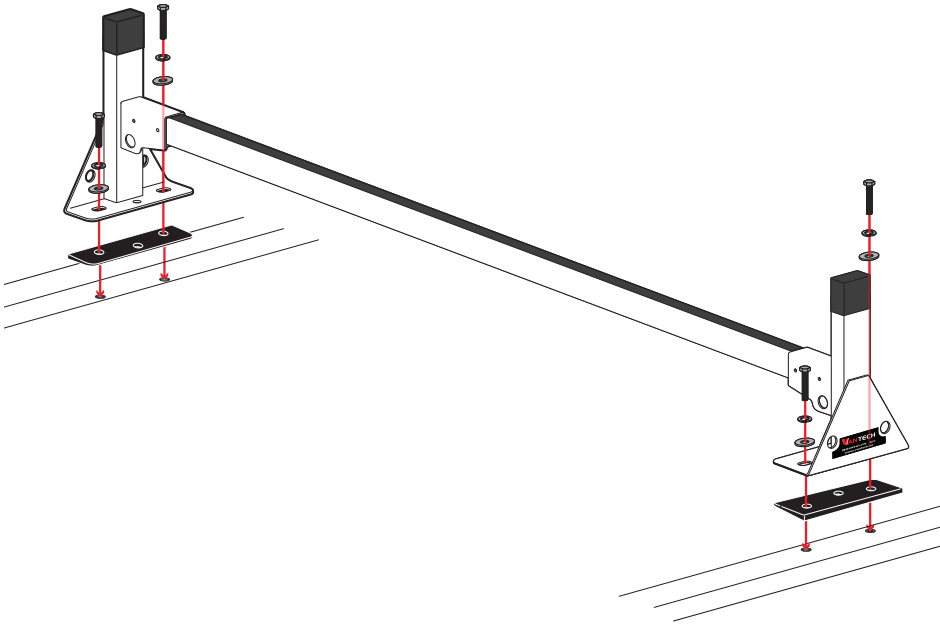
- Remove wax paper from plastic bar guard and adhere it to the top of the Cross Bar.

- Leave 4" on each end



FRONT AND REAR

H33



CENTER

H31

