



Van & Truck Cargo System

Vantech USA www.vantech.com

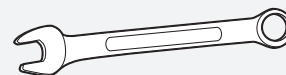


PRODUCT INFO

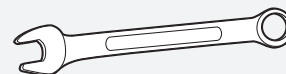
Part #: J1547B
System: J2000
Material: Aluminum
Fitment: RAM ProMaster City
Color: Black

REQUIRED TOOLS

1/2" Wrench



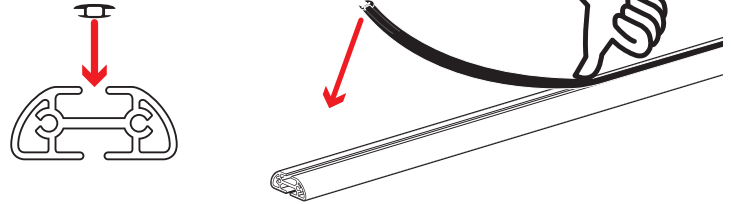
10mm Wrench



| PART # | DESCRIPTION | QTY | ITEM ITEM NOT DRAWN TO SCALE |
|---------|-------------------------------|-----|---|
| S052 | DOUBLE SLIDER 2" BOLT TO BOLT | 6 |  |
| W001 | 1/4" X 1/2" WASHER | 6 |  |
| W008 | 5/16" X 3/4" WASHER | 12 |  |
| W021 | 1/4" LOCK WASHER | 6 |  |
| B225 | M6-30MM HEX BOLT | 6 |  |
| N005 | 5/16" NYLON NUT | 12 |  |
| M08 | MOUNTING BASE 6" WIDE | 4 |  |
| M11 | MOUNTING BASE 2 3/4" WIDE | 2 |  |
| A285-50 | 2.25" X 1" X 50" CROSS BAR | 3 |  |
| G203 | RUBBER GASKET 2.5" | 2 |  |
| G206 | RUBBER GASKET 6" | 4 |  |
| BG550 | RUBBER BAR GUARD 50" | 3 |  |
| Z285 | ENDCAP | 6 |  |

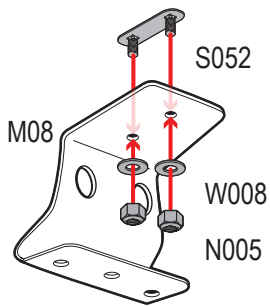
RUBBER BAR GUARD

- Press the rubber bar guard into the channels of cross bars

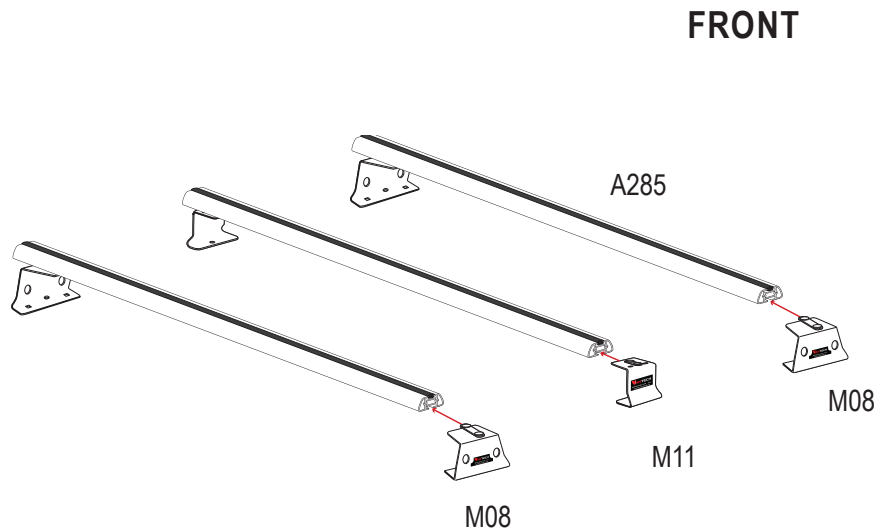
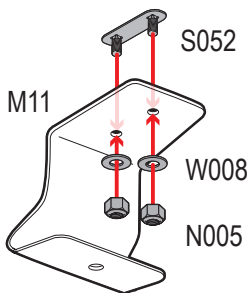


SYSTEM PLACEMENT MUST BE PLACED IN THIS ORDER

X4

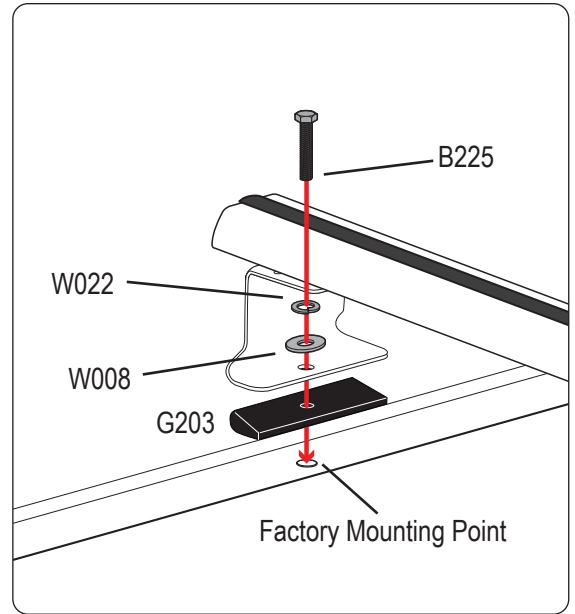
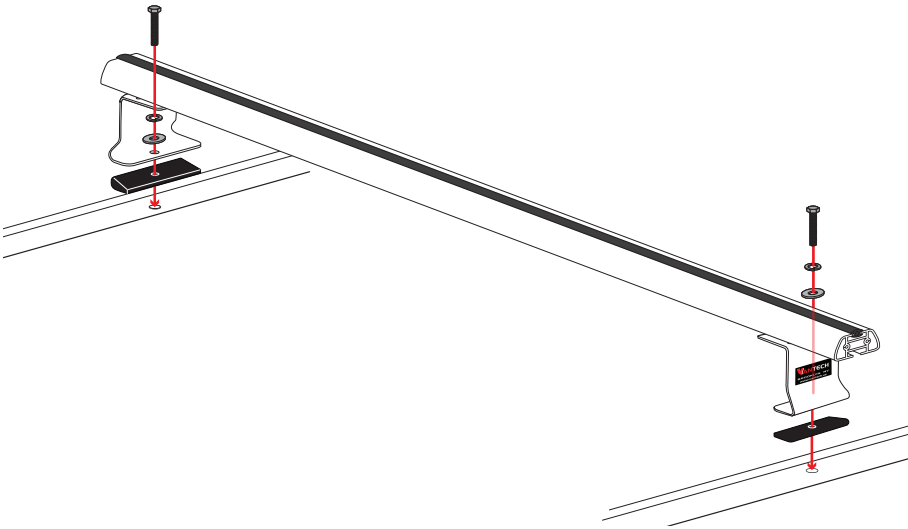


X2



Do not tighten hardware

CENTER



REAR

