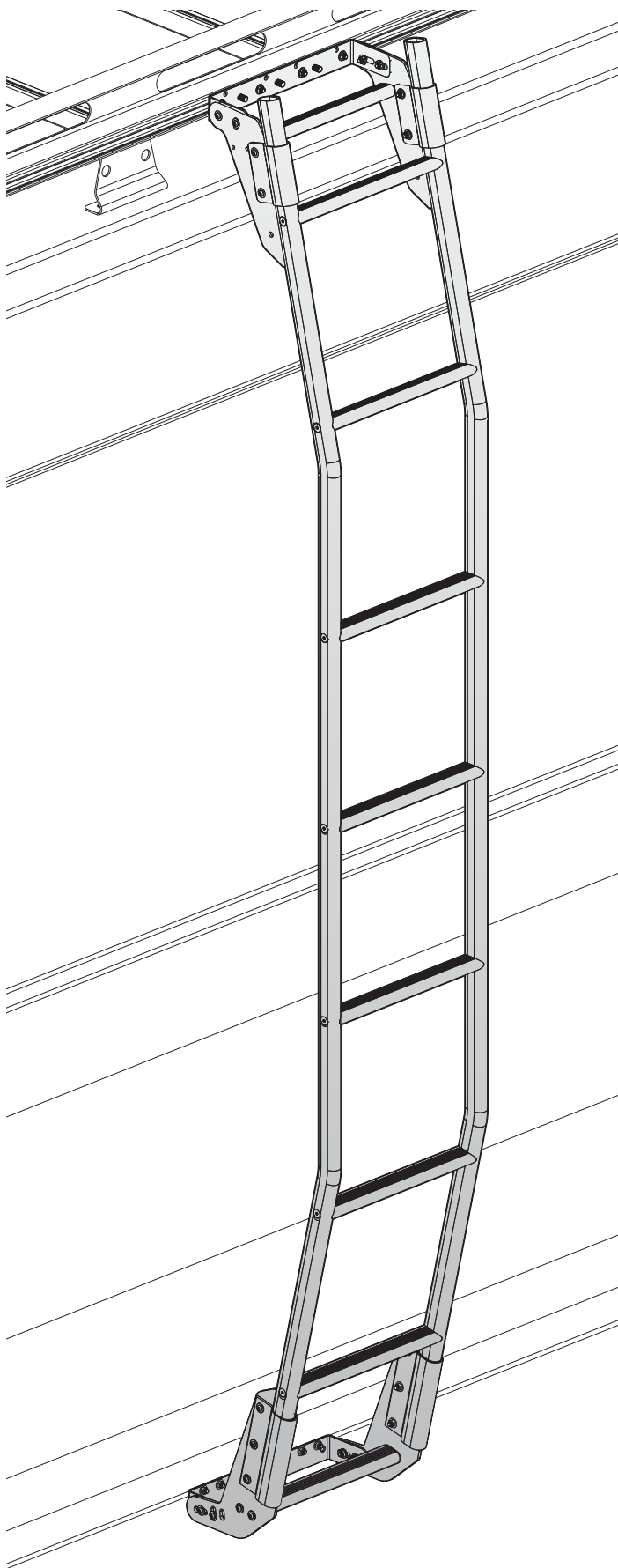




**Van & Truck
Cargo System**

Vantech USA www.vantech.com



PRODUCT INFO

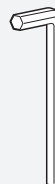
Part #: L3510X1D3B
System: H2.1 Series Side Ladder
Material: Aluminum
Fitment: RAM ProMaster 2013-On
(High Roof / All Models / All Trims)
Color: Black

REQUIRED TOOLS

5/32"
Allen Key



3/16"
Allen Key



1/2"
Wrench



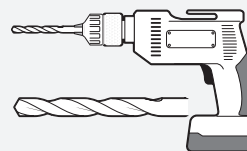
9/16"
Wrench


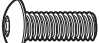
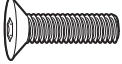
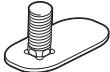










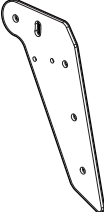
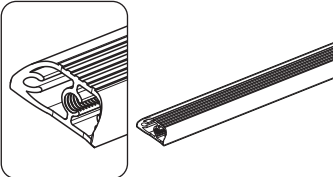
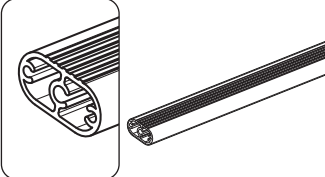
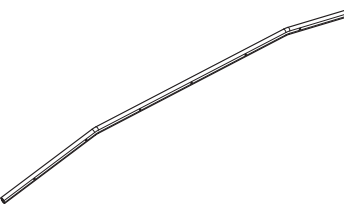
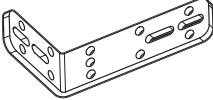
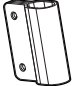
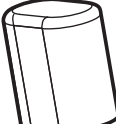
Visible
Marker



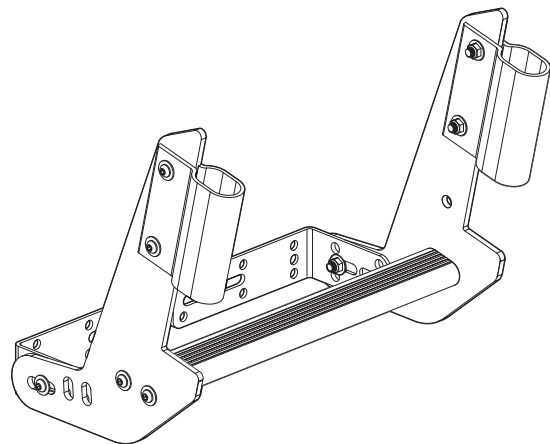
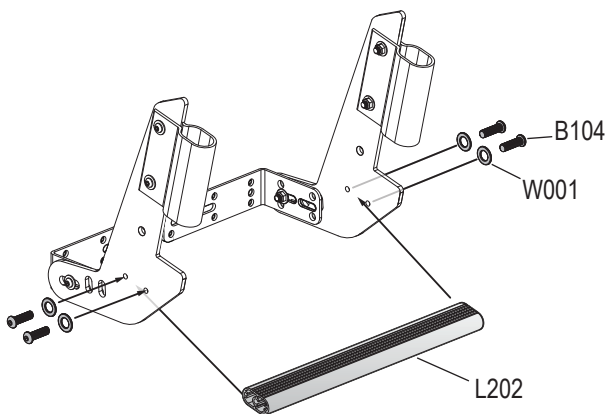
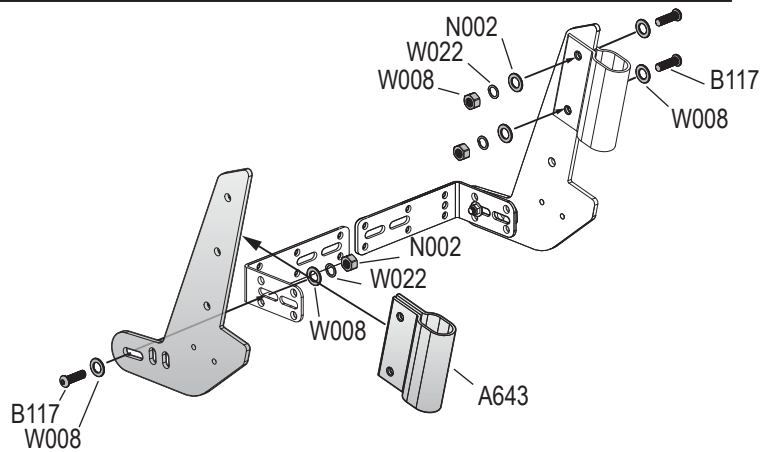
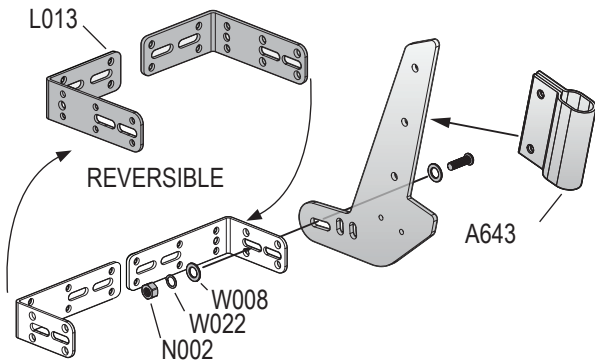
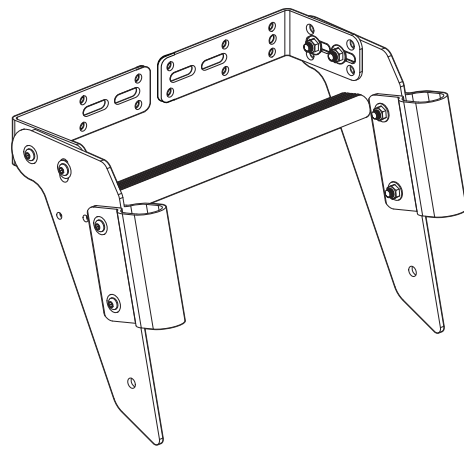
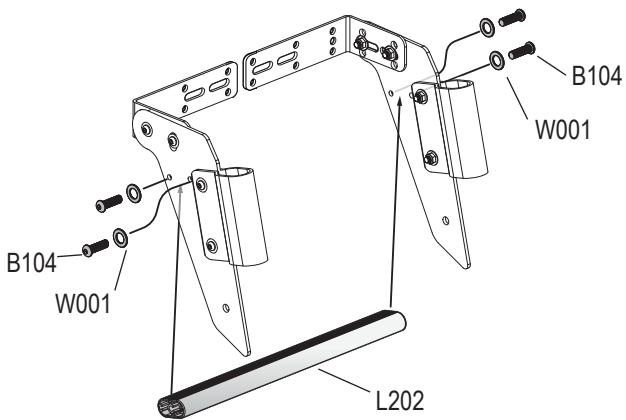
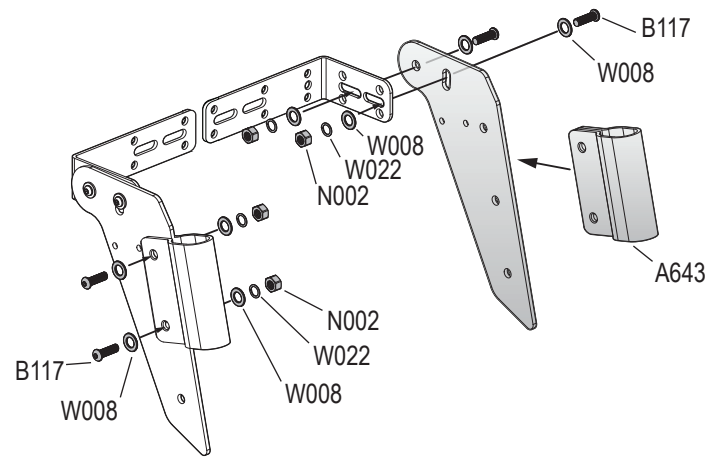
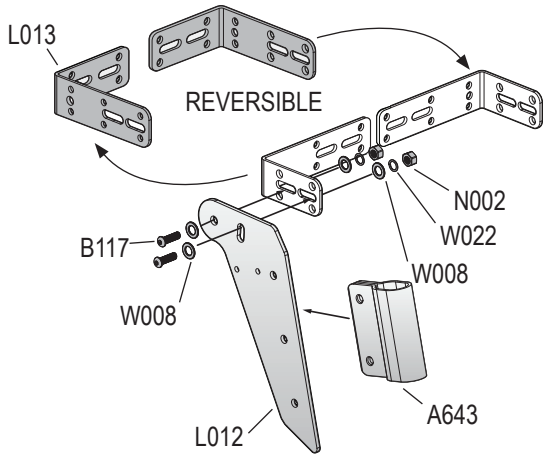
Power Tool w/
5/16" Drill Bit

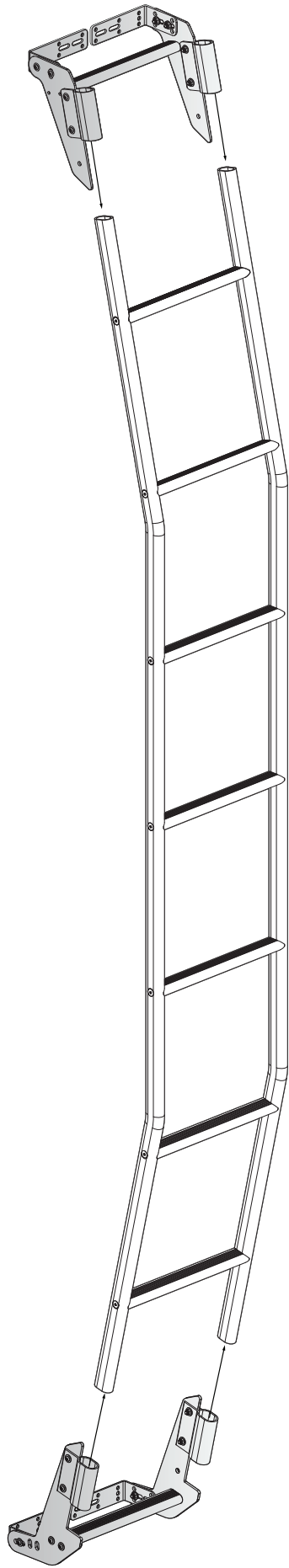
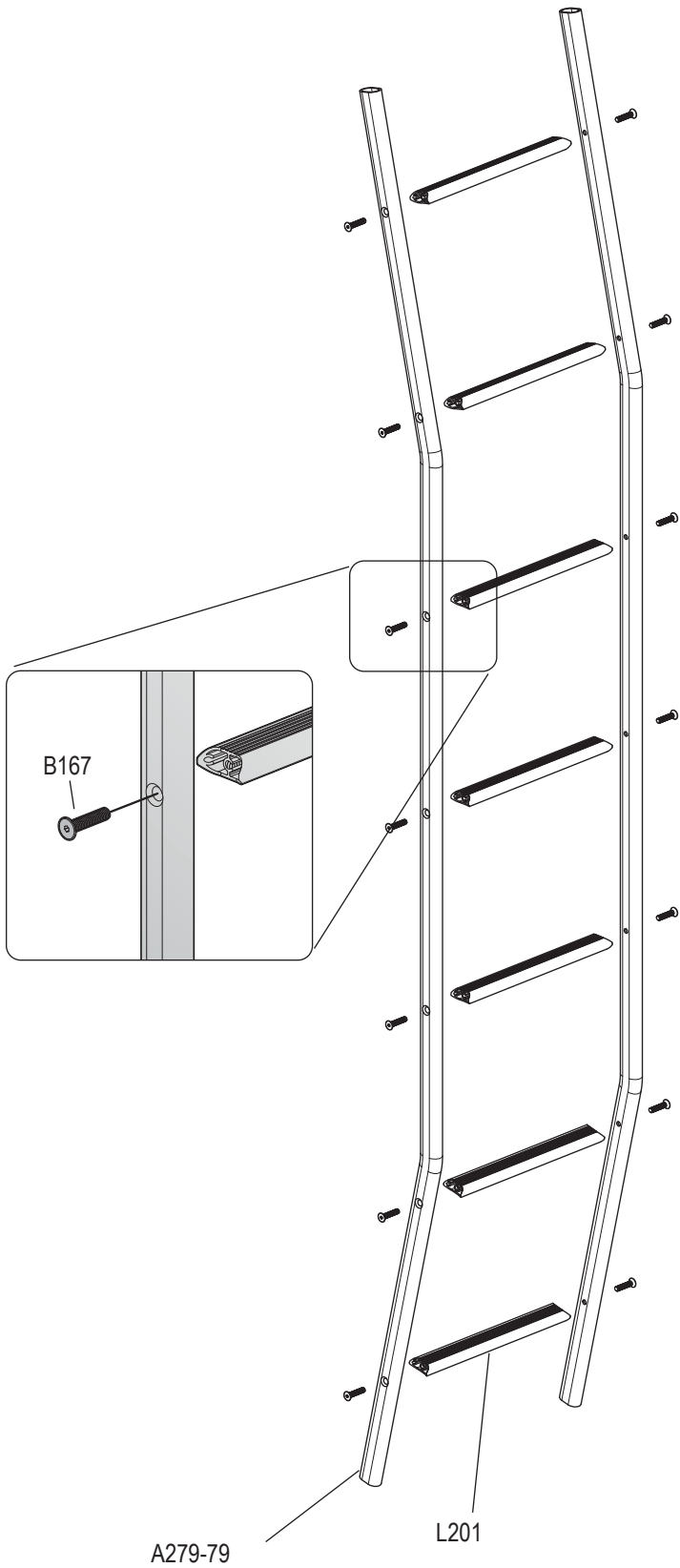


ITEM	DESCRIPTION	QTY	ITEM
B104	1/4" X 1 1/4" BUTTON HEAD ALLEN BOLT	8	
B117	5/16" X 1" BUTTON HEAD ALLEN BOLT	20	
SS- B167	5/16" 1 1/2" ALLEN COUNTERSUNK BOLT	14	
S111	3/8" SINGLE BOLT SLIDER	4	
N002	5/16" NUT	20	
N003	3/8" NUT	4	
W001	1/4" X 1/2" WASHER	8	
W008	5/16" X 3/4" WASHER	40	
W013	3/8" X 3/4" WASHER	4	
W022	5/16" LOCK WASHER	20	
W023	3/8" LOCK WASHER	4	

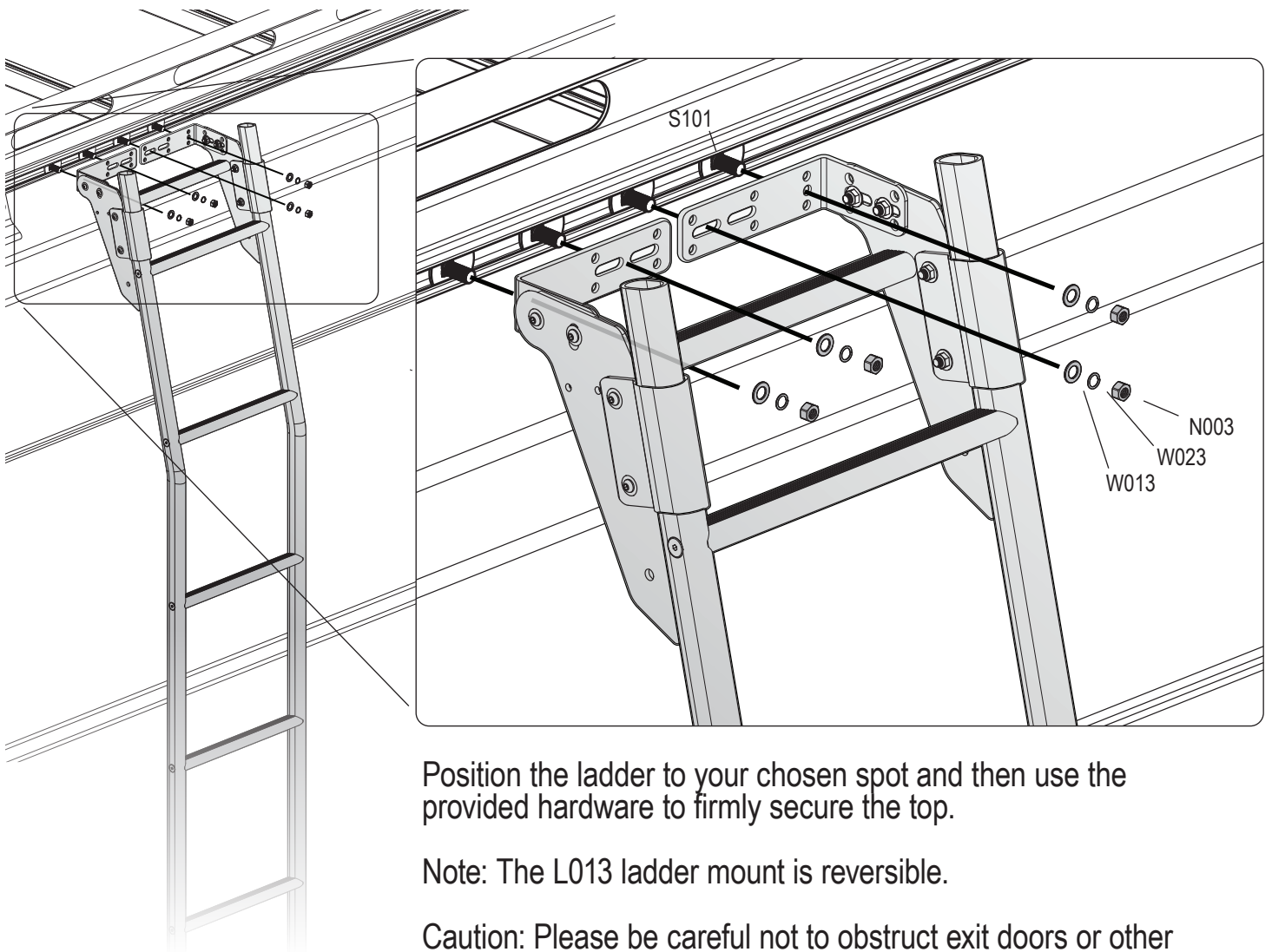
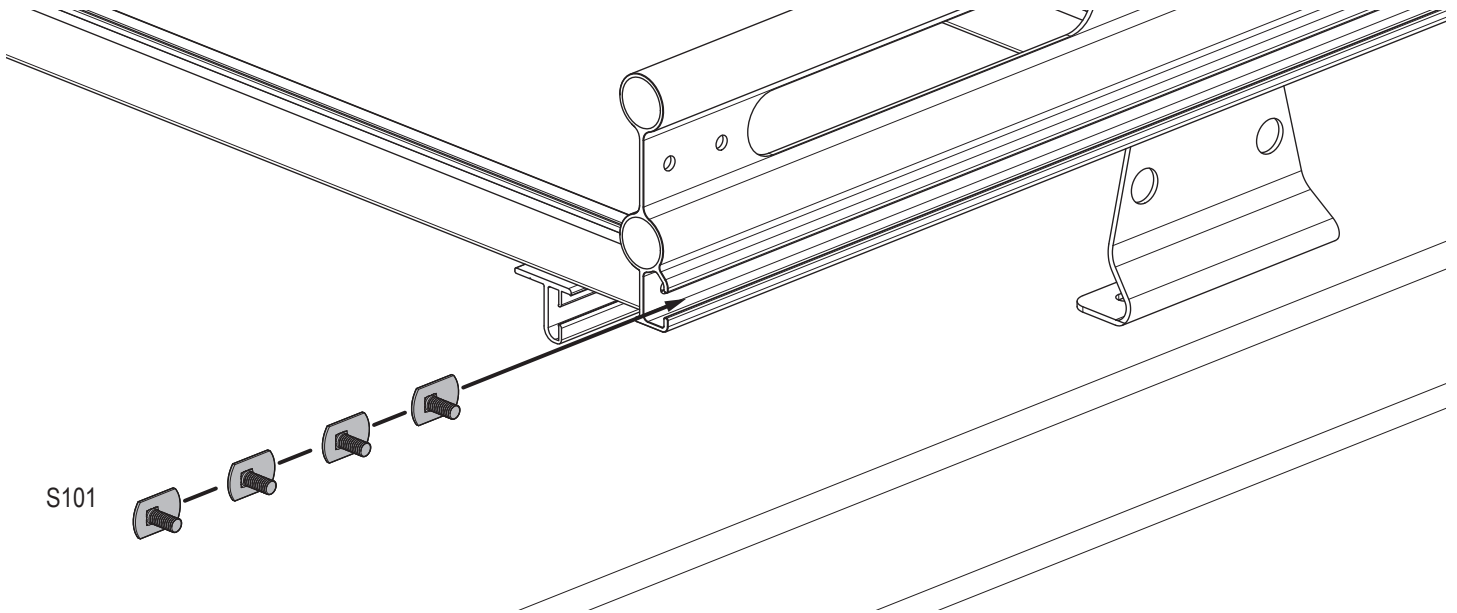
ITEM	DESCRIPTION	QTY	ITEM
L011	LADDER MOUNT ADAPTOR BOTTOM	2	
L012	LADDER MOUNT ADAPTOR TOP	2	
L201	LADDER STEP	7	
L202	LADDER STEP SHORT	2	
A279-79	79" POST	2	
L013	LADDER MOUNT (REVERSIBLE)	4	
A643	4" CLAMP	4	
Z279	RUBBER ENDCAP (OPTIONAL)	4	

HAND TIGHTEN ONLY.





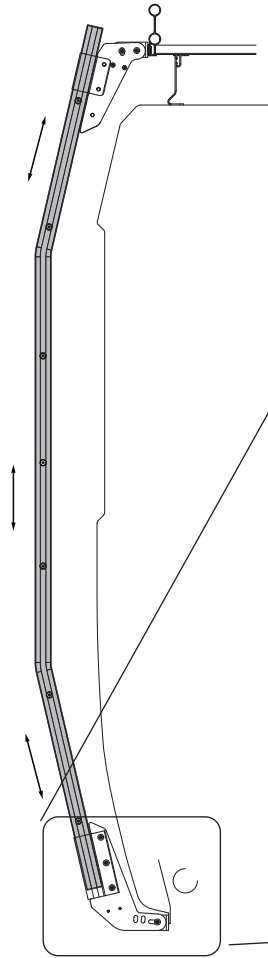
SECURE HARDWARE



Position the ladder to your chosen spot and then use the provided hardware to firmly secure the top.

Note: The L013 ladder mount is reversible.

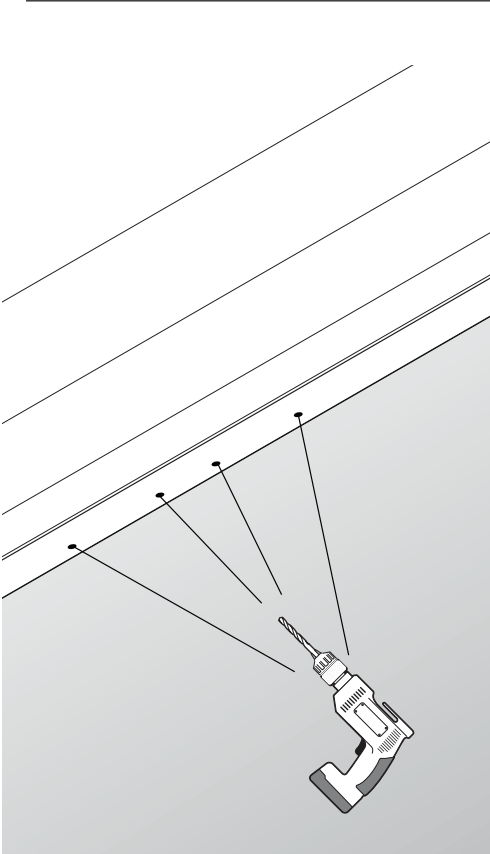
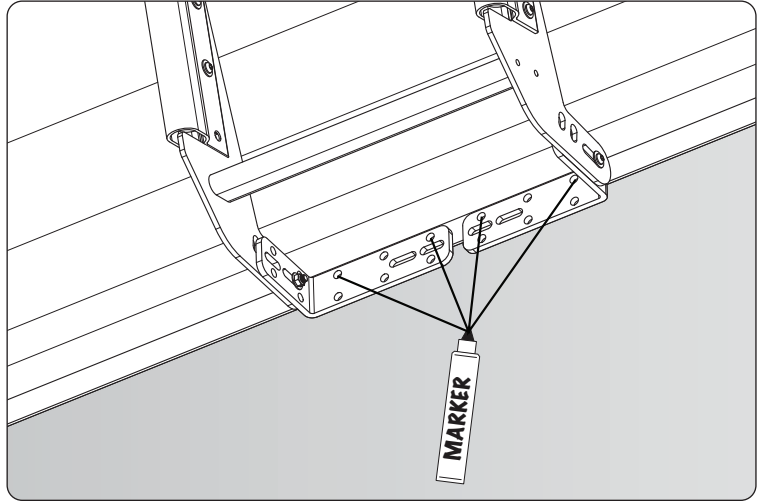
Caution: Please be careful not to obstruct exit doors or other access points.



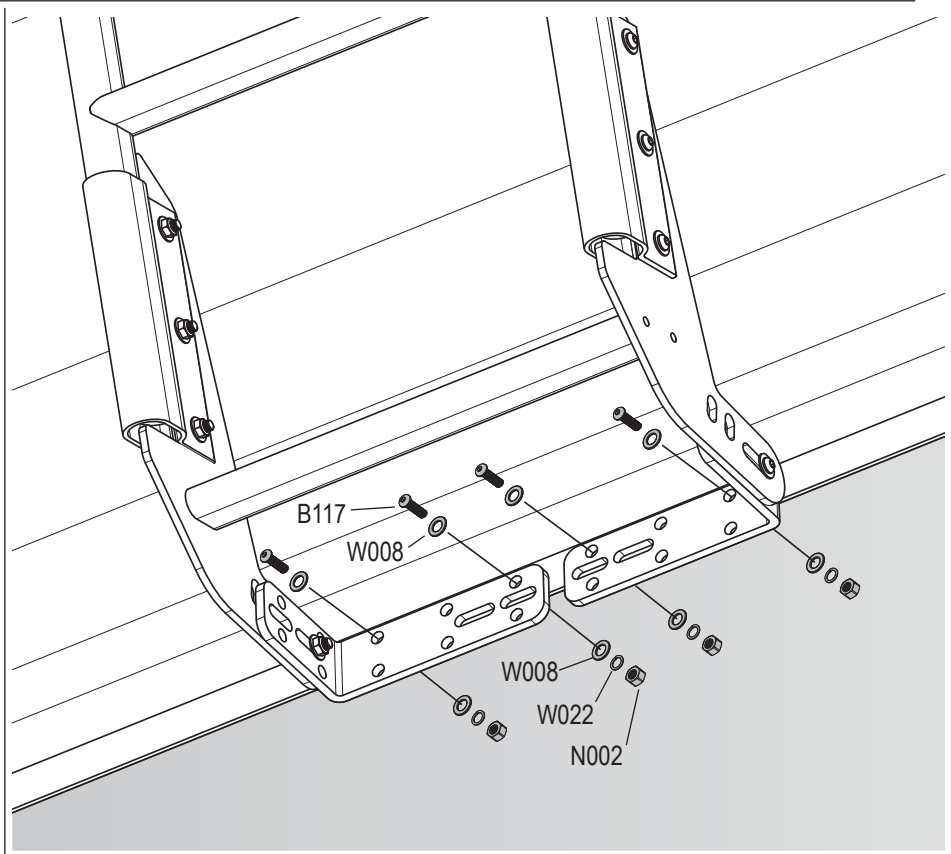
Position the ladder to your chosen spot and then use the provided hardware to firmly secure the bottom. (Drilling required)

Note: The L013 ladder mount is reversible.

Caution: Please be careful not to obstruct exit doors or other access points.



USE 5/16" DRILL BIT



SECURE ALL HARDWARE